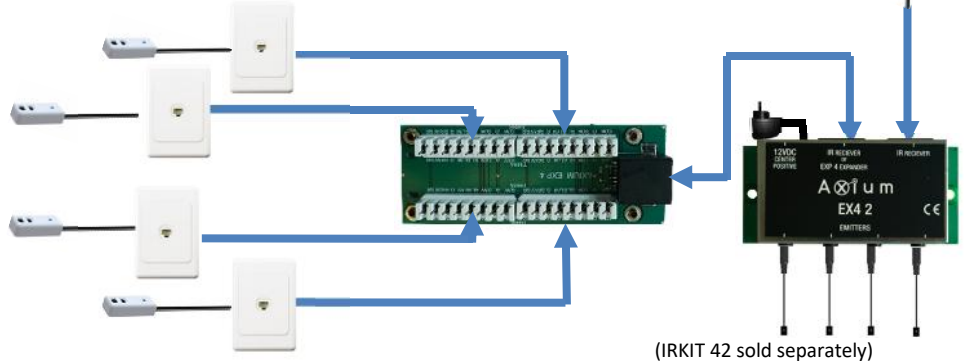




(All additional IR receivers sold separately)

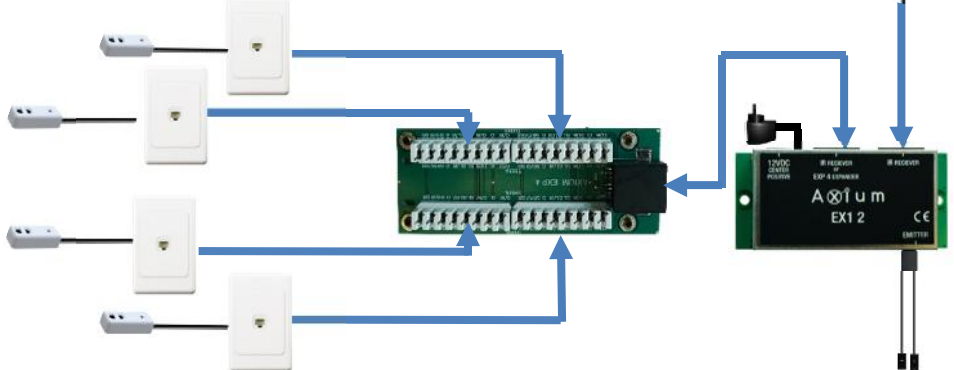
Example using an EXP4 with an IRKIT42



(IRKIT 42 sold separately)

(All additional IR receivers sold separately)

Example using an EXP4 with an IRKIT12



(IR KIT12 sold separately)

Technical Specifications

New Generation EXP4 Expander Board module allows for up to 4 additional IRFX3 Single IR Receivers to connect to the IRKIT42 or IRKIT12.

568A and 568B punch down connections

Specifications and features subject to change without notice. Please check www.axiumcontrol.com for latest updates