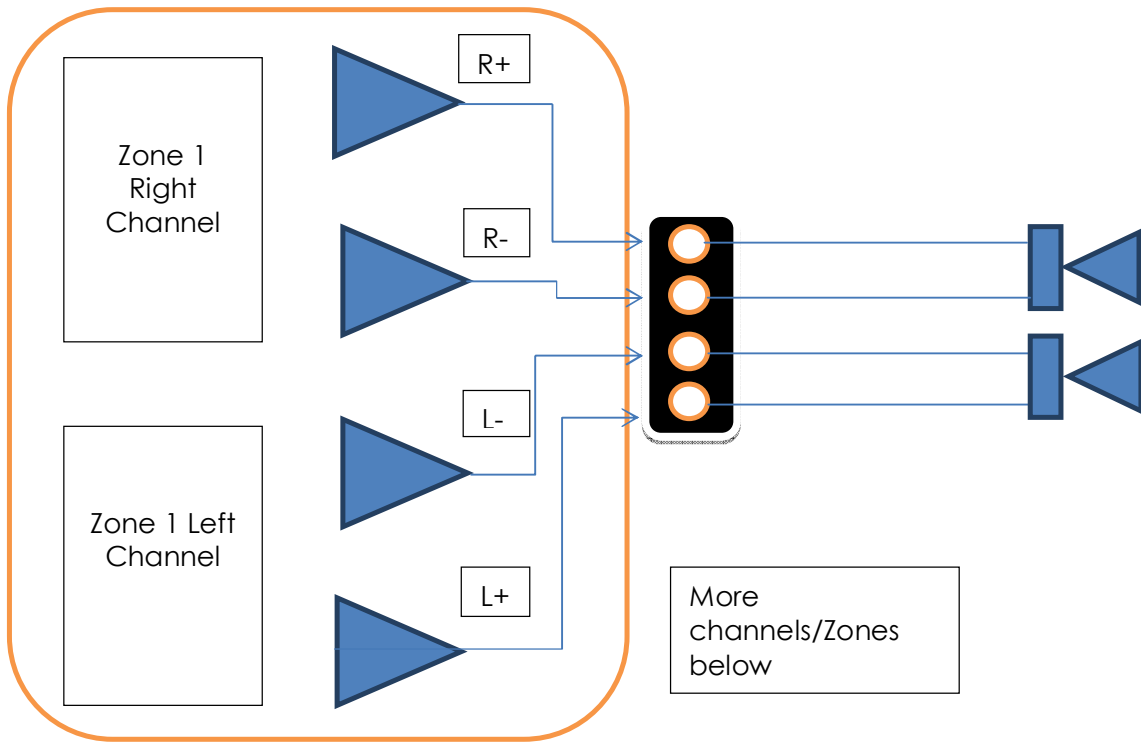
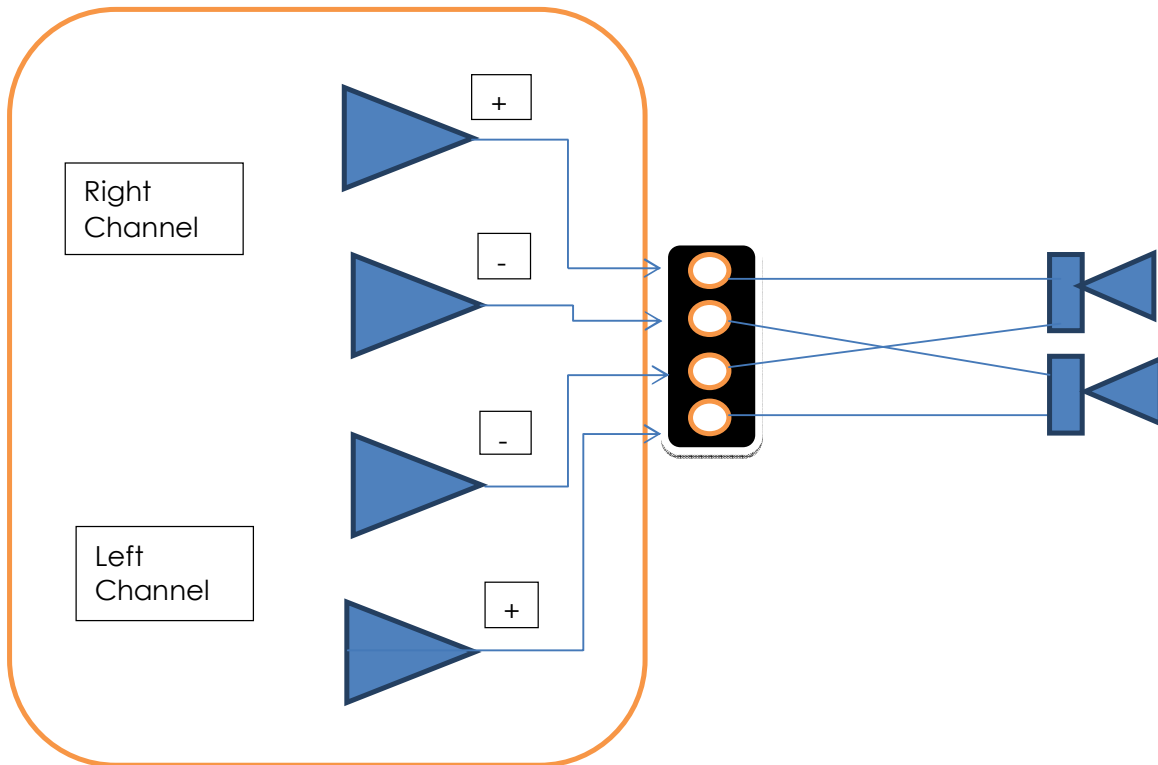


Correct Speaker Wiring Polarity For The Axiom AX800 / 400 Amplifiers, one zone shown.



Incorrect Speaker Wiring, -v cannot be swapped.



A Standard Class AB amplifier may work in this mode as the $-v$ terminals are normally joined internally

